

4

3

2

1

REVISIONS			
LTR	DESCRIPTION	DATE	APPROVED
-	INITIAL RELEASE PER EO# D-0562		3/28
A	REVISED PER E.O.# D-1286	5/1/85	8A0
B	REVISED PER E.O.# D-1587		
C	REVISED PER E.O.# D-1708	1/16/87	8A0
D	REVISED PER ECNT-20961	8/27/88	305
E	REVISED PER DCR# T-21986	11/6/90	95894

NOTES:

- THIS PART IS DESIGNED TO MEET THE REQUIREMENTS OF U.S. ARMY MISSILE COMMAND REDSTONE ARSENAL P N 11454894.
- MATING CONNECTORS:

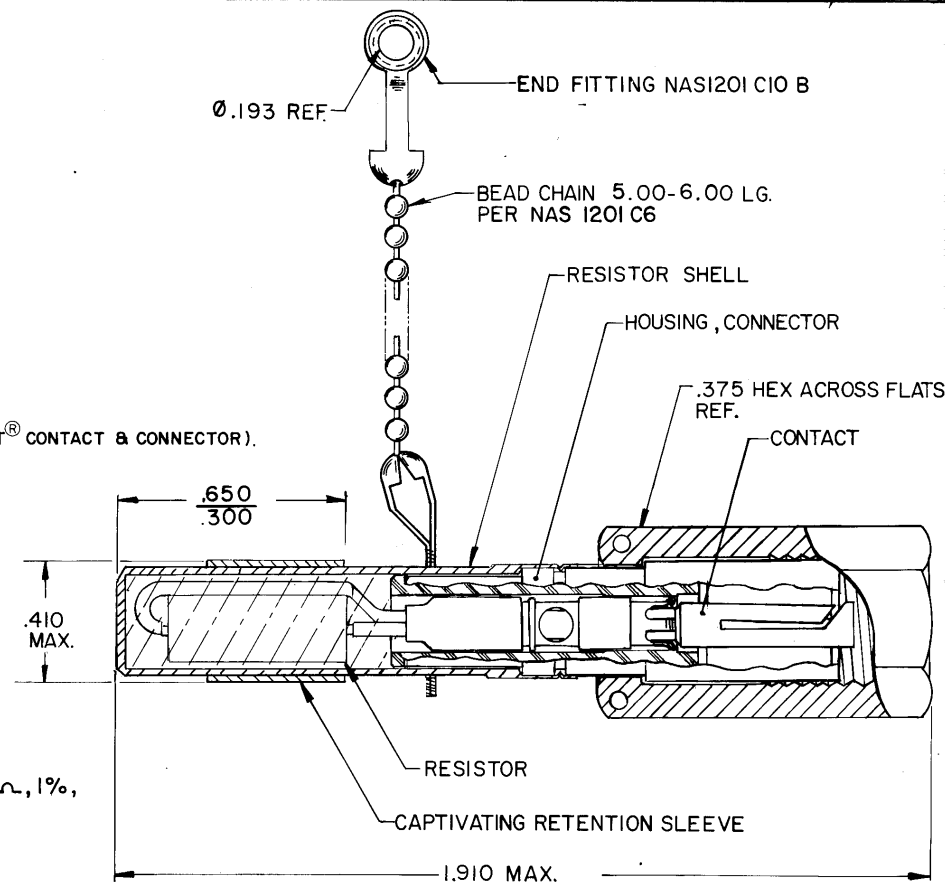
RAYCHEM	MILITARY
D-621-0002	11453047
D-621-0003	11453048
- ORIENTATION OF BEAD CHAIN CLIP OPTIONAL.

PERFORMANCE:

- NOMINAL IMPEDANCE: 51 ± 5 OHMS AT 60MHZ.
 MAX. OPERATING TEMPERATURE: 125° C.
 INSULATION RESISTANCE: 5000 MEGOHMS MINIMUM (BETWEEN SOLDERACT® CONTACT & CONNECTOR).
 CONNECTOR MATING COUPLING TORQUE: 10 INCH-POUNDS MAX.
 ENGAGEMENT FORCE: 3 POUNDS MAX.
 SEPARATION FORCE: 1 OUNCE MIN.
 DURABILITY: 500 CYCLES
 RESISTOR SHELL TO CONNECTOR HOUSING AXIAL RETENTION: 5 POUNDS.

MATERIAL:

- CONNECTOR HOUSING BODY: BRASS ALLOY, TIN PLATED PER MIL-T-10727.
 CONTACT: PER RAYCHEM SPECIFICATION D-602-55.
 RESISTOR: MEETS OR EXCEEDS MIL-R-39017/2 REQUIREMENTS(MM-215, 50Ω, 1%, PER CADDOCK ELECTRONICS, RIVERSIDE CA.).
 CAPTIVATING CHAIN: CORROSION RESISTANT STEEL, PASSIVATED.
 RESISTOR SHELL: BRASS ALLOY, NICKEL PLATED.
 CAPTIVATING CHAIN RETENTION SLEEVE: HEAT SHRINKABLE POLYVINYLIDENE FLUORIDE PER MIL-I 23053/8. WITH INTEGRAL ADHESIVE LINER.



If this document is printed it becomes uncontrolled.
 Check with the web for latest revision.

SPECIFICATION CONTROL DRAWING © Raychem Corporation 1982

DRAWN	terry	3-16-82	Raychem RAYCHEM CORPORATION 300 CONSTITUTION DRIVE MENLO PARK, CALIFORNIA 94025		
CHECKED					
APPROVED	804	7-15-82	TITLE CONNECTOR, RF RESISTIVE TERMINATION		
APPROVED	11F	1-21-82			
UNLESS OTHERWISE SPECIFIED DIMENSIONS ARE IN INCHES. METRIC DIMENSIONS ARE IN PARENTHESIS			SIZE A	CODE IDENT. NO. 06090	DWG. NO. D-621-0027
DO NOT SCALE THIS DRAWING			WEIGHT	SHEET	OF